

TRONDS BARGE 28

GENERAL

Name:	Tronds Barge 28
Length o.a.:	91,44m
Beam o.a.:	27,43m
Submersible:	5,0m water on deck
Dwt:	10220mt
Deck load:	10T/m ²
Class	DNV 1A1 Barge for deck cargo



DIMENSIONS

Length o.a.	91,44 m
Beam o.a	27,43 m
Max draught	6,50 m
Submerged depth	13,50 m

CAPACITIES

Deadweight	10220 mt
Lightship	1830 mt
Deck area	2320 m ²
Deck unit load	10 mt / m ²
Fuel tank	51,3 m ³

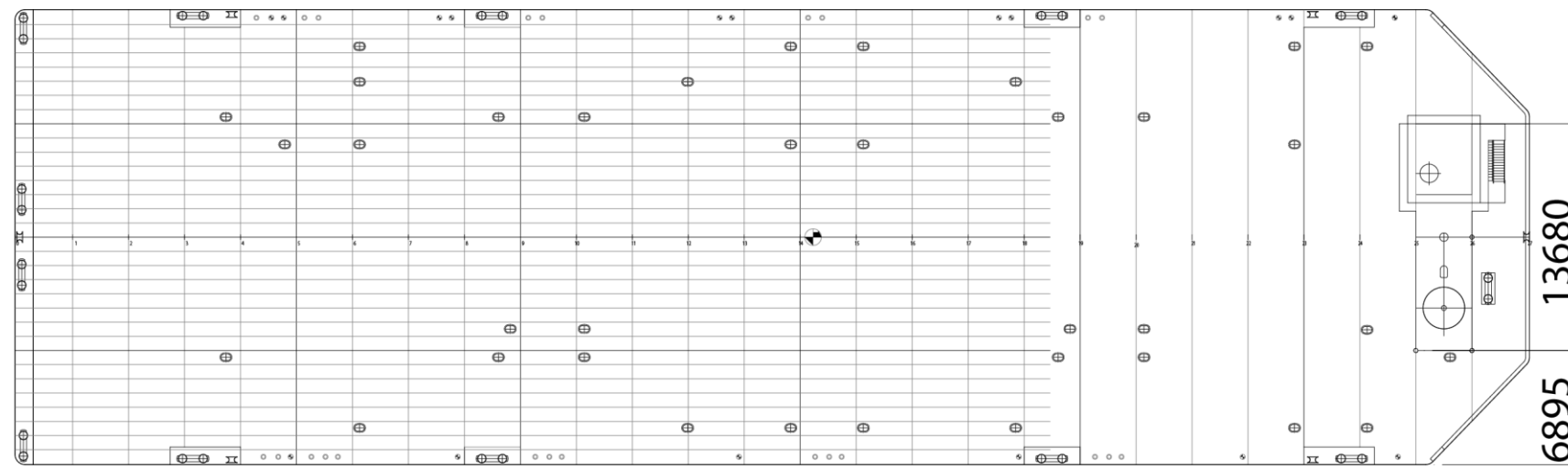
ARRANGEMENT AND FORM

Bulkheads	3 longitudinal, 5 transverse
Ballast tanks	17 ballast tanks, fully submersible by 16 bottom valves
	De-ballasting system by air pressure
	2 compressors with sub cooler – 426m ³ each

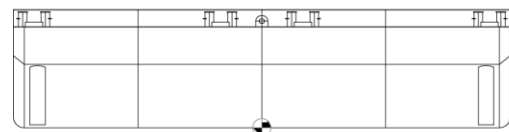
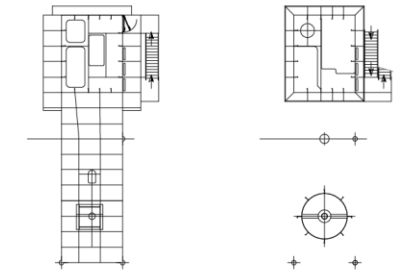
EQUIPMENT

- Solar cell navigation lights
- Anchor winch
- Bollards, top flush with deck
- 2 x ballast pump, 600m³/h each
- 2 x diesel generators, current 380V – 50 c/s 90kVA each

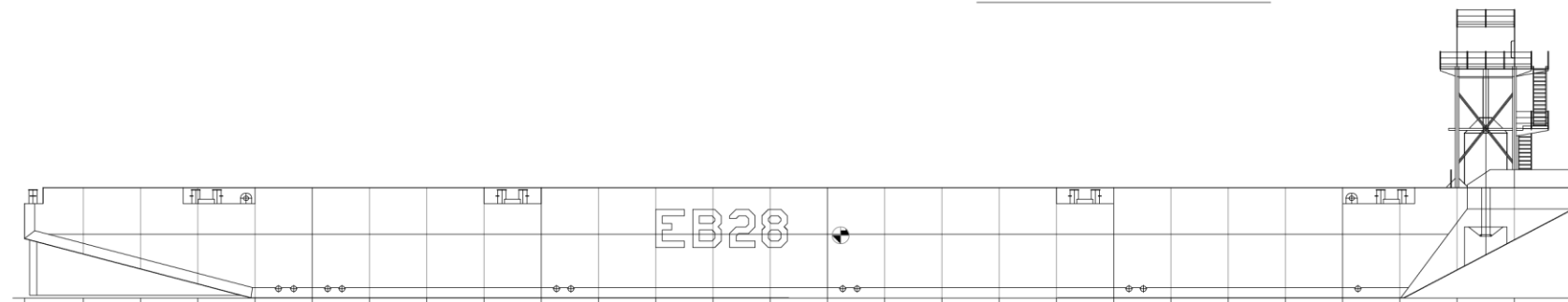
TRONDS BARGE 28



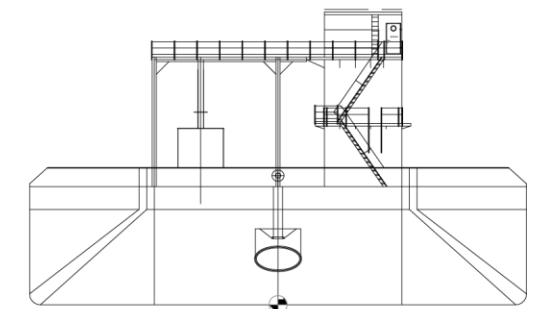
DECK ARRANGEMENT



STERN VIEW



SIDE VIEW



BOW VIEW

