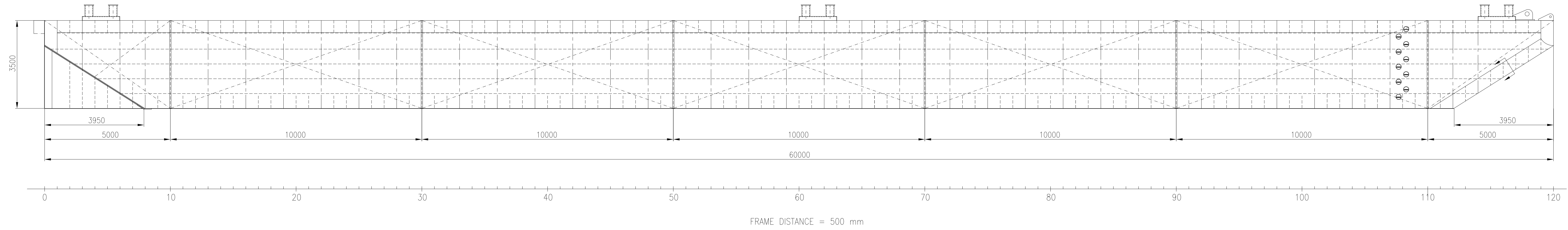
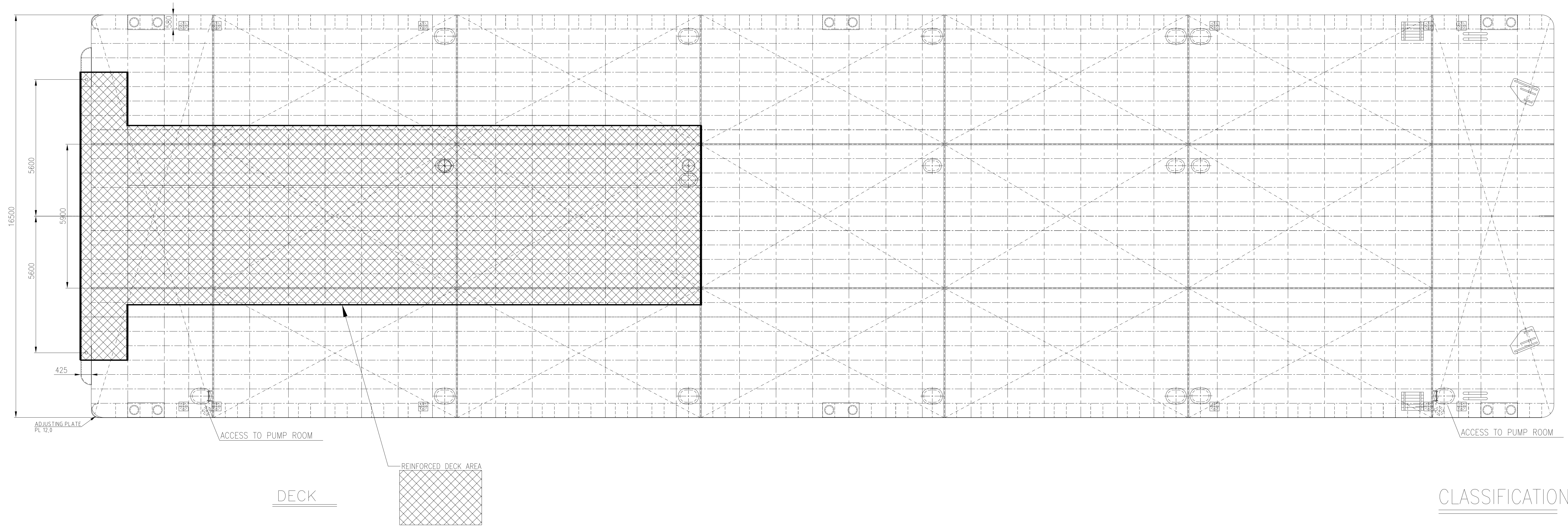


HULL MARKING.



PROFILE.



DECK

MAIN DIMENSIONS:

CLASSIFICATION:
 DNV: 1A1 Barge for deck cargo

LENGTH = 60,00 m
 BREADTH = 16,50 m
 DEPTH = 3,50 m

Rev.	Date	Description	Mode by	Chk'd by	Disc. by	Client Appr.
A	29.06.18	General Update after change of owner	-	-	-	-
PROJECT :		PROJECT NO. :	CUSTOMER :			
TRONDS BARGE 8		Avd 108	TRONDS MARINE SERVICE AS			
TITLE :		SCALE :	DATE :		REV.:	
TRONDS BARGE 8		-	10-01-2018		A	
GENERAL ARRANGEMENT						
DRAWING NO. :		REPLACES :		REPLACED BY :		
100.101.0005						



SLETT, ANDREASBYGD
 10000421
 Phone: 011 44 43 00
 Email: as@trondsmarine.com