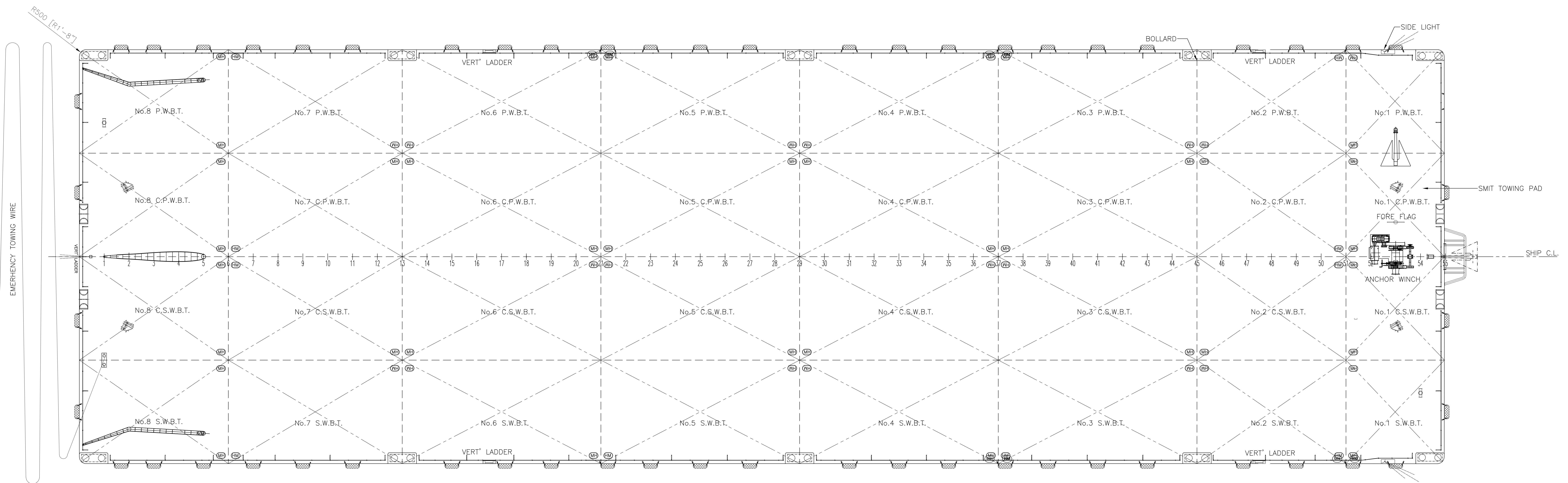
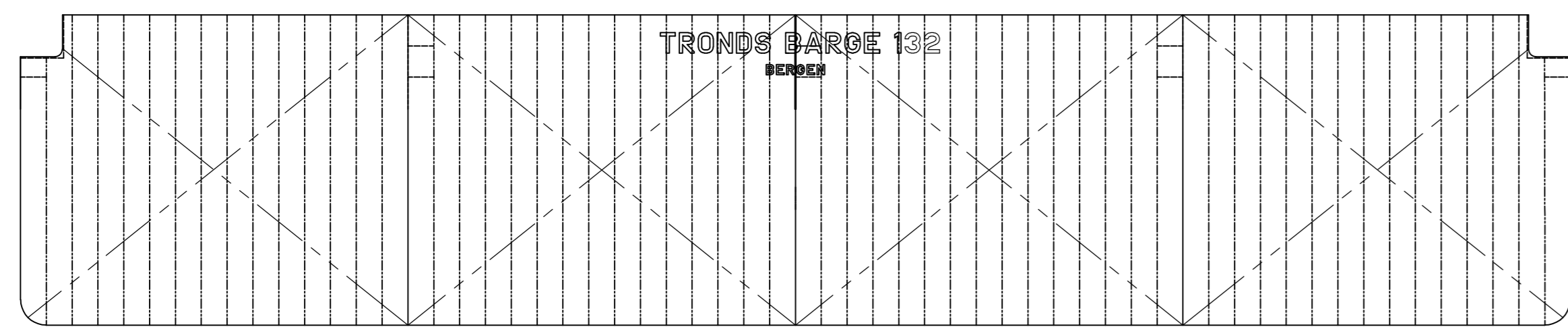


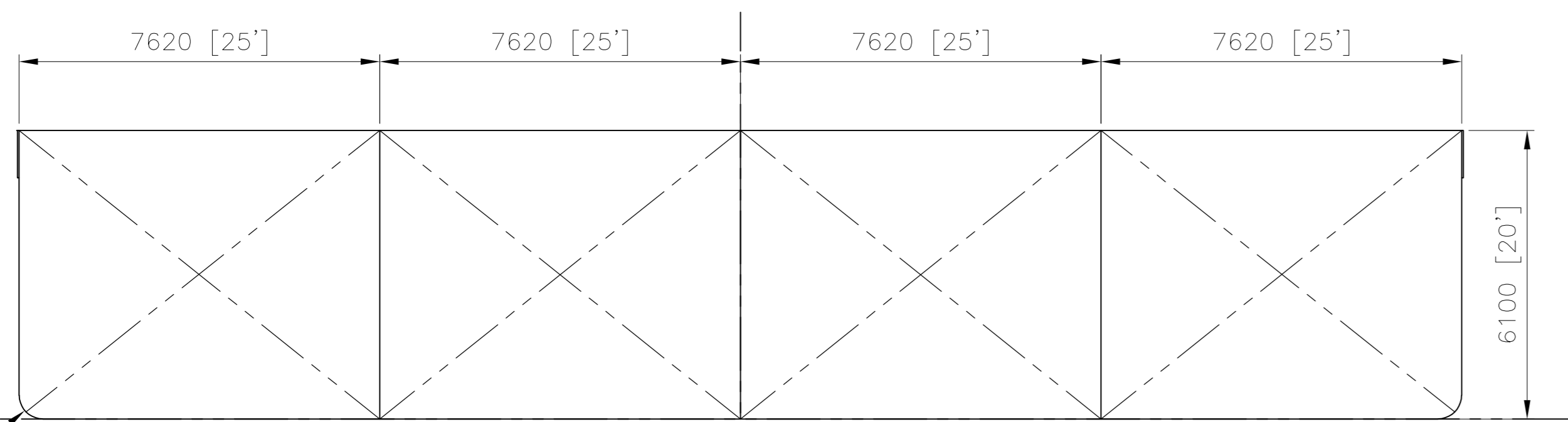
PROFILE



MAIN DECK PLAN



AFT SECTION



MIDSHIP SECTION

PRINCIPAL DIMENSIONS

LENGTH OVERALL	100.584 M (330'-0")
BREADTH MOULDED	30.480 M (100'-0")
DEPTH MOULDED	6.100 M (20'-0")
DRAFT MOULDED	4.500 M
FRAME SPACING	1.830 M (6'-0")
DECK LOADING	15.0 T/M ²

NOTATION

ABS * A1 BARGE

GENERAL NOTE:

1. ALL TANKS' SCANTLINGS ARE DESIGNED FOR CARRYING BALLAST
2. ALL MANHOLES TO BE FLUSH TYPE.

THIS DOCUMENT AND THE INFORMATION IT CONTAINS IS COPYRIGHT AND REMAINS THE PROPERTY OF GREENBAY MARINE (PTE) LTD. IT IS NOT TO BE COPIED IN WHOLE OR IN PART OR DISCLOSED TO ANY THIRD PARTY FOR ANY PURPOSE WHATSOEVER WITHOUT PRIOR WRITTEN CONSENT.

OWNER :	CLIENT JOB NO. :	INTER-DISCIPLINARY CHECK :	HULL :	MECH :	ELEC :			
		PROJECT :	DECK CARGO BARGE TRONDS BARGE 132					
	CLASS :	TITLE :	GENERAL ARRANGEMENT					
	DNV :							
DESIGNER :	GREENBAY MARINE PTE. LTD. NO. 26, BOONLAY WAY #01-82/83, TRADE HUB 21(S)628500. TEL : 68614178 TELEFAX : (65) 68618109 E-mail : greenbay@sigmet.com.sg		DRAWING NO. :	SHEET NO. :	REV. :	SIZE :		
			132-100-001	1 OF 1	0	A1	SCALE	
						1:150		